



QBM3x20-..

QBM3x20-..D

Differential pressure sensor

QBM3020-..
QBM3120-..

for air and non-aggressive gases

- High degree of measuring accuracy
- Adjustable characteristic curve (pressure-linear or extracting-the-root)
- Operating voltage:

QBM3020-..:	AC 24 V / DC 13.5...33 V
QBM3120-..:	DC 8...33 V
- Output signal:

QBM3020-..:	DC 0...10 V
QBM3120-..:	4...20 mA
- Zero-point adjustment
- Simple and fast mounting thanks to integrated fixing angle bar in the housing
- Maintenance free thanks to excellent long-term stability
- Calibrated and temperature-compensated measuring signal
- Supplied with plastic tubing
- Very short response time
- Actual value display*

* Depending on type

Application

The differential pressure sensor acquires differential, over and under pressure of air and nonaggressive gases if a high degree of measuring accuracy and quality is required. It is also suited for measuring volume flow via differential pressure since the output signal can be set to extracting-the-root.

Fields of application

- Measuring the slightest differential pressures in ventilation and air conditioning ducts
- Check air flows
- Monitor filters and control fans
- Pressure supervision in labs, production, and clean rooms
- For acquiring variable air flow in VAV plants on the supply and extract air side

Type summary

Type (ASN)	Product number (SSN)	Pressure measuring ranges		Output signal
		Standard	End value can be set ²	
QBM3020-1U	S55720-S233	-50...+50 Pa	± (30...50) Pa	DC 0...10 V
QBM3020-1	S55720-S234	0...100 Pa	50...100 Pa	DC 0...10 V
QBM3020-3	S55720-S235	0...300 Pa	100...300 Pa	DC 0...10 V
QBM3020-5	S55720-S236	0...500 Pa	300...500 Pa	DC 0...10 V
QBM3020-10	S55720-S237	0...1000 Pa	500...1000 Pa	DC 0...10 V
QBM3020-25	S55720-S238	0...2500 Pa	1600...2500 Pa	DC 0...10 V
QBM3020-1D ¹	S55720-S239	0...100 Pa	50...100 Pa	DC 0...10 V
QBM3020-3D ¹	S55720-S240	0...300 Pa	100...300 Pa	DC 0...10 V
QBM3020-5D ¹	S55720-S241	0...500 Pa	300...500 Pa	DC 0...10 V
QBM3020-10D ¹	S55720-S242	0...1000 Pa	500...1000 Pa	DC 0...10 V
QBM3020-25D ¹	S55720-S243	0...2500 Pa	1600...2500 Pa	DC 0...10 V
QBM3120-1U	S55720-S442	-50...+50 Pa	± (30...50) Pa	4...20 mA
QBM3120-1	S55720-S443	0...100 Pa	50...100 Pa	4...20 mA
QBM3120-3	S55720-S444	0...300 Pa	100...300 Pa	4...20 mA
QBM3120-5	S55720-S445	0...500 Pa	300...500 Pa	4...20 mA
QBM3120-10	S55720-S446	0...1000 Pa	500...1000 Pa	4...20 mA
QBM3120-25	S55720-S447	0...2500 Pa	1600...2500 Pa	4...20 mA
QBM3120-1D ¹	S55720-S448	0...100 Pa	50...100 Pa	4...20 mA
QBM3120-3D ¹	S55720-S449	0...300 Pa	100...300 Pa	4...20 mA
QBM3120-5D ¹	S55720-S450	0...500 Pa	300...500 Pa	4...20 mA
QBM3120-10D ¹	S55720-S451	0...1000 Pa	500...1000 Pa	4...20 mA
QBM3120-25D ¹	S55720-S452	0...2500 Pa	1600...2500 Pa	4...20 mA

¹ Type with digital display (in Pa)

² Relevant for application using extracting-the-root characteristic

Conversion 100 Pa = 1 hPa = 1 mbar)

Ordering and delivery

When ordering a differential pressure sensor, please specify the quantity, type, and product name.

Example

Type (ASN)	Product number (SSN)	Product designation
QBM3020-3	S55720-S235	Differential pressure sensor.

The differential pressure sensor is supplied with 2-meter plastic tubing. Additional accessories may be ordered separately.

Accessories

Additional sets of air duct probes are available depending on measuring requirements. Various mounting brackets are also available depending on installation location.

Type	Name	Data sheet
AQB2000	Mounting bracket, for mounting sensors in isolated air ducts	N1590
AQB21.2	Top hat rail adapters (5 pieces) for DIN top hat rails, HT 35-7.5	N1590
FK-PZ1	Air duct probe, short, stainless steel, with elastic lead-through	N1589
FK-PZ2	Air duct probe, long, aluminum, with orifice plates for precise measuring requirements	N1589

Mode of operation

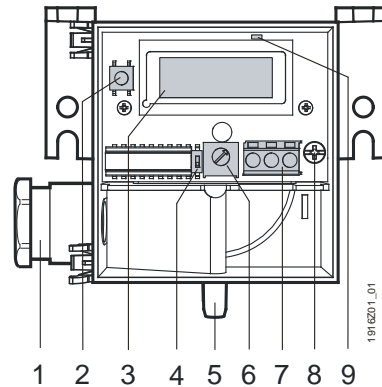
The sensor acquires the differential pressure using a silicon rubber membrane and ceramic bar. Depending on the type of sensor, the sensor generates a linear or extracting-the-root signal DC 0...10 V with the QBM3020-.. or 4...20 mA with the QBM3120-.. which is calibrated and compensated for temperature.

The individual adjustment of the pressure measurement range for extracting-the-root sensors is done by means of a potentiometer.

The differential pressure sensor consists of:

- Sensor housing with mounting bracket, cable entry, and removable snap-on cover with safety screw
- Pressure chamber with membrane and ceramic lever
- PCB with terminal connections, DIP switch to switch the characteristic curve (see Commissioning notes) and potentiometer for optional end value setting on extracting-the-root characteristic (0...10 V output or 4...20 mA output respectively)
- LCD on QBM3020..D and on QBM3120-..D
- Zero-point adjustment button to compensate for mounting position (see "Commissioning notes")

Display, setting and connection elements



Key

- 1 Cable entry gland Pg 11 with cable strain relief
- 2 Push-button for zero-point adjustment
- 3 LCD (**QBM3020-..D** and **QBM3120-..D**), to digitally display the sensor signal in Pascal
- 4 DIP switch to change the characteristic (see "Set characteristic curve under "Commissioning notes")
- 5 Connection nipples (see "Mounting notes")
- 6 Potentiometer to set amplification at extracting-the-root output characteristic
- 7 Terminal block
- 8 Safety screw for hinged cover
- 9 LED for zero-point adjustment

Engineering notes

The transformer used must be suited for safety extra low voltage (SELV) when using an AC power supply. It must have separate windings and be designed for 100 % duty. Transformer size and fuse must comply with local safety regulations. Observe maximum permissible cable lengths. If cable lengths exceed 50 meters and run parallel to the mains cables: Use shielded cables!

Mounting and Installation notes

The differential pressure sensor is suited for direct mounting on air ducts, walls, ceilings, or in control panels. The supplied 2 meter plastic tubing can be modified to the duct connection on the plant. To achieve the housing protective class indicated under "Technical data", the differential pressure sensors must be mounted with the pressure nipple facing down. In addition, they should be higher than the air duct probes.

Caution

If the pressure connection nipples point upward or are at a lower level than the air duct probes, condensation can collect inside the sensor, causing damage to the device.

Note

The pressure tubing for the sensor nipples are connected as follows to the differential pressure sensors:

On the air duct side	On the pressure sensor side
Tubing with higher pressure side (lower vacuum)	Connect to pressure nipple "P1" or "+"
Tubing with lower pressure side (higher vacuum)	Connect to pressure nipple "P2" or "-"

The sensor is supplied with mounting instructions. For detailed information on installation and mounting position, refer to the [Sensor Installation Guide](#) in BT download center.

Caution

- Power supply by SELV or class 2 power supply with limited output of 15 W or less (UL requirement)
- Use only copper wiring

Commissioning notes

Caution


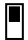
The values indicated under "Technical data" apply only to vertically mounted differential pressure sensors (connection nipples pointing down).

Sensor calibration

Value deviations are possible for horizontal mounting (housing cover on top or bottom). These deviations can be compensated for by using the zero-point adjustment. See "Zero-point adjustment" below.

Set characteristic curve

The settings of the characteristic curve (pressure-linear / extracting-the-root) using a DIP switch.

DIP switch	Characteristic curve
 *	Pressure-linear characteristic curve
	Extracting-the-root characteristic curve

* Factory setting

Zero-point adjustment

See also Display, setting and connection elements

1. Wiring connection terminals – Do not connect pressure tubing at this time.
2. Press the zero-point adjustment button for more than 2 seconds until the LED briefly lights up. The zero-point adjustment is additionally indicated on types with LCDs with "**0 Pa**".
A menu opens if you press the zero-point button for less than 2 seconds on LCD types. It closes automatically by multiple presses or a waiting period of 8 seconds.
3. Connect pressure tubing

Disposal




The device is considered electrical and electronic equipment for disposal in terms of the applicable European Directive and may not be disposed of as domestic garbage.

- Dispose of the device via the channels provided for this purpose.
- Comply with all local and currently applicable laws and regulations.

Technical data

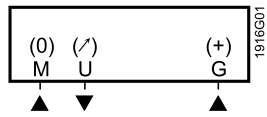
Electrical interface	Power supply	Safety extra low voltage (SELV/PELV) or class 2 (UL)	
	QBM3020-..	Operating voltage	AC 24 V ± 15 %, 50/60 Hz or DC 13.5...33 V
3-wire connection	Power consumption	<0.5 VA	
	Current draw	< 10 mA	
	External supply line protection	Fuse slow max. 10 A or Circuit breaker max. 13 A Characteristic B, C, D according to EN 60898 or Power source with current limitation of max. 10 A	
	Output voltage	DC 0 ...10 V	
	Burden (R_{Load})	>10 k Ω	
	Output	Not galvanically separated, 3-wire connection, short-circuit proof, protected against reverse polarity	
	QBM3120-..	Operating voltage	DC 8...33 V
		for ohm loads of up to 500 Ω	DC 18...33 V
		Power consumption	<0.7 VA
		Current draw	4...20 mA
Output		4...20 mA $R_{Load} < \frac{Supply\ Voltage - 8\ V}{0.02\ A} [\Omega]$ 2-wire technology (inherently short-circuit proof and reversed polarity protected)	
Functional data	Measuring range	Refer to "Type summary"	
	Sensing element	Piezo-resistive (silicone membrane, ceramic bar)	
	Measuring accuracy at recommended mount- ing position and 20 °C ambient temperature	(FS = Full Scale)	
	for QBM3x20-10, -10D, -25, -25D		
	– Zero point, end value	<±0.7 % FS	
	– Sum from linearity, reproducible and hysteresis	<±0.6 % FS	
	– TC zero point	<±0.04 % FS/°C	
	– TC sensitivity	<±0.02 % FS/°C	
	for QBM3x20-5, -5D		
	– Zero point, end value	<±0.7 % FS	
– Sum from linearity, reproducible and hysteresis	<±1 % FS		
– TC zero point	<±0.04 % FS/°C		
– TC sensitivity	<±0.05 % FS/°C		
for QBM3x20-3, -3D			
– Zero point, end value	<±0.7 % FS		
– Sum from linearity, reproducible and hysteresis	<±1 % FS		
– TC zero point	<±0.05 % FS/°C		
– TC sensitivity	<±0.05 % FS/°C		

	for QBM3x20-1U, -1, -1D	
	– Zero point, end value	<±1 % FS
	– Sum from linearity, reproducible and hysteresis	<±1 % FS
	– TC zero point	<±0.1 % FS/°C
	– TC sensitivity	<±0.06 % FS/°C
	Long-term stability	±1,0% FS as per DIN IEC 60770
	Response time	<20 ms
	Load change	<10 Hz
	Tolerable overload on one side	
	At P1	5,000 Pa (10,000 Pa for types QBM3x20-5, -10, -25)
	At P2	400 Pa
	Rupture pressure	
	0...70 °C	1.5 × overload
	at room temperature	2 × overload
	Display (on QBM3020-...D only)	LCD, 2-line, 8 position each, alphanumeric, not background lit
	Display of	Differential pressure in Pa
	Media	Air and non-aggressive gases
	Admissible medium temperature	0...70 °C
	Maintenance	Maintenance free
Degree of protection	Protection degree of housing	IP54 according to EN 60529
	Protection class	III according to EN 60730-1
Connections	Electrical connection	
	Screw terminals for cable lead	Max. 1.5 mm ² (wire or stranded wire) Cable gland entry Pg 11
	Pressure connection	PVC nipples Ø 6.2 mm
Environmental conditions	Permissible ambient temperature	
	Operation	0...70 °C
	Transport and storage	–25...+70 °C
	Permissible ambient humidity	<90 % r. F. (without condensation)
Standards, directives and approvals	Product standard	EN 61326-2-3:2013 Electrical equipment for measurement, control and laboratory use. EMC requirements. General requirements
	Electromagnetic compatibility (Applications)	For use in residential, commerce, light-industrial and industrial environments
	EAC conformity	Eurasia conformity
	EU Conformity (CE)	CE1T1910xx_01 ^{*)}
	RCM Conformity	CE1T1910en_C1 ^{*)}
	 US	UL 60730-1 / UL 60730-2-6 http://ul.com/database
Environmental compatibility	The product environmental declaration CE1E1916 ^{*)} contains data on environmentally compatible product design and assessments (RoHS compliance, materials composition, packaging, environmental benefit, disposal).	
Dimensions (weight)	Weight (with packaging), without display	0.183 kg
	Weight (with packaging), with display	0.196 kg

*) The documents can be downloaded from <http://siemens.com/bt/download>.

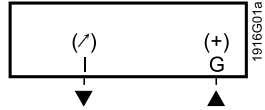
Connection terminals

QBM3020-xx



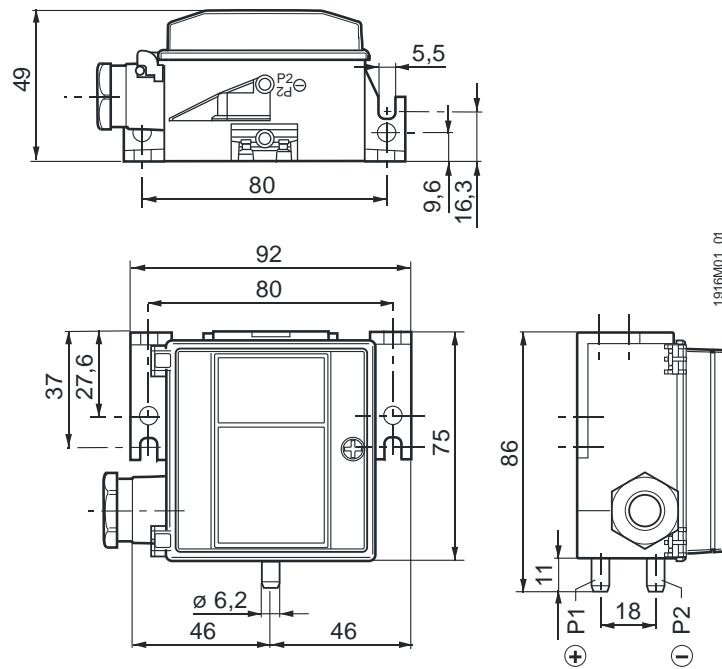
G (+) Operating voltage AC 24 V or DC 13.5...33 V
 M (0) GND, measuring neutral
 U (∞) Measuring signal DC 0...10 V

QBM3120-xx



G (+) Supply voltage DC 8...33 V
 I (∞) Measuring signal DC 4...20 mA

Dimensions



Dimensions in mm

Published by:
Siemens Switzerland Ltd.
Smart Infrastructure
Global Headquarters
Theilerstrasse 1a
CH-6300 Zug
Switzerland
Tel. +41 58-724 24 24
www.siemens.com/buildingtechnologies

© Siemens Switzerland Ltd 2000
Delivery and technical specifications subject to change