



## Electrical Actuators

for small valves VVP47..., VXP47..., VMP47...

**SSP31...**

**SSP81...**

**SSP61...**

- **SSP31...** operating voltage AC 230 V      3-position control signal
- **SSP81...** operating voltage AC 24 V      3-position control signal
- **SSP61...** operating voltage AC / DC 24 V      DC 0...10 V control signal
- **Nominal force 160 N**
- **Automatic identification of valve stroke**
- **Direct mounting with coupling nut, no tools required**
- **Basic types complete with plug-in connecting cable, length 1.5 m**
- **Optional cable types**
  - Cable length 2.5 m and 4.5 m
  - Halogen-free cables
- **Manual override and position indication**
- **Parallel connection of multiple actuators possible**

### Use

For operation of Siemens valves of the V...P47... series for water-side control of hot and cooling water in heating, ventilation and air conditioning systems.  
In conjunction with the AL100 adapter, the actuators are also suitable for use with the 2W..., 3W... and 4W... valves

## Type summary

Type reference	Operating voltage	Run time at 50 Hz	Control signal	Connecting cable
SSP31	AC 230 V	150 s	3-position	1.5 m
SSP81 <sup>1)</sup>	AC 24 V			
SSP81.04		43 s		
SSP61 <sup>1)</sup>	AC / DC 24 V	34 s	DC 0...10 V	

<sup>1)</sup> are UL and cUL approved

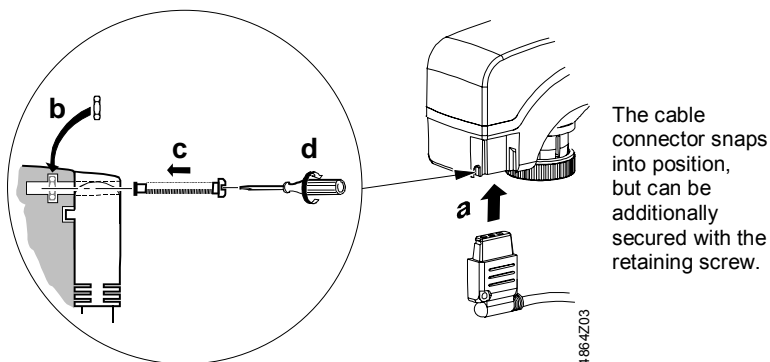
## Accessories

Type reference	Description	Operating voltage	Control signal
ASY3L25	Connecting cable 2.5 m	AC 230 V	3-position
ASY3L45	Connecting cable 4.5 m		
ASY8L25	Connecting cable 2.5 m	AC 24 V	
ASY8L45	Connecting cable 4.5 m		
ASY8L45HF	Connecting cable 4.5 m, halogen-free, VDE 0207-24		
ASY6L25	Connecting cable 2.5 m	AC / DC 24 V	DC 0...10 V
ASY6L45	Connecting cable 4.5 m		
ASY6L45HF	Connecting cable 4.5 m, halogen-free, VDE 0207-24		

### Retaining screw ASY98

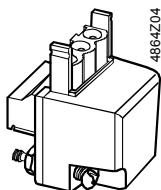


Type ASY98 to secure the cable connector. Included in ASY99 and ASY100.



The cable connector snaps into position, but can be additionally secured with the retaining screw.

### Terminal block connectors ASY99 ASY100



For special cable lengths of the AC / DC 24 V actuators.

- ASY99 for 3-position actuators
- ASY100 for DC 0...10 V modulating actuators

The terminal block connectors are supplied complete with Mounting Instructions (74 319 0385 0).

### Adapter AL100



AL100 for retrofitting the 2W..., 3W... and 4W... valves.

The adapter is supplied complete with Mounting Instructions (74 319 0302 0).

## Ordering

Example:

Typ reference	Stock no.	Description	Quantity
SSP81	SSP81	Electromotoric actuator	2
ASY99	ASY99	Terminal block	2

Delivery Actuators, valves and accessories are packed separately. Items are supplied individually packed.

Rev.-Nr. Overview tables see page 9.

**Equipment combinations**

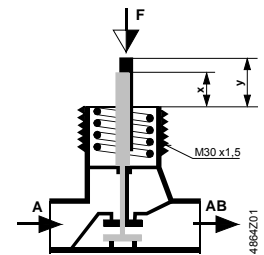
	Type reference	Valve type	$k_{vs}$ [m <sup>3</sup> /h]	PN class	Data sheet	
Direct mounting	VVP47...	2-port valves	0.25...4.0	PN16	N4847	
	VXP47...	3-port valves				
	VMP47...	3-port valves with T-bypass	0.25...2.5			
With AL100 adapter for retrofitting	2W...K...	2-port valves	0.6...2.5			N4846
	3W...	3-port valves	0.6...4.0			
	4W...	3-port valves with T-bypass	0.6...2.5			

$k_{vs}$  = nominal flow rate of cold water (5...30 °C) through the fully open valve ( $H_{100}$ ) at a differential pressure of 100 kPa (1 bar)

**Valves from other manufacturers**

To ensure trouble-free operation of third-party valves with the SSP... actuator, the valves must satisfy the following requirements:

- Threaded connections with coupling nut M30 x 1.5
- Nominal force  $F \leq 160$  N
- Dimension x (with valve fully open)  $x > 9.0$  mm
- Dimension y (with valve fully closed)  $y \leq 14.5$  mm



**Function / mechanical design**

When the actuator is driven by DC 0...10 V control voltage or by a 3-position signal, it produces a stroke which is transmitted to the valve stem. The description of operation in this document applies to the valve versions which are fully closed without actuator (NC).

**3-position control signal**  
SSP31... / SSP81...

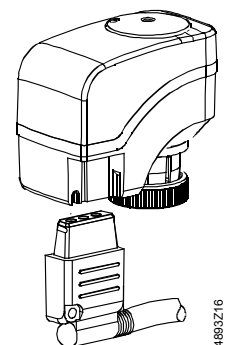
- Voltage at Y1: Stem extends: Valve opens
- Voltage at Y2: Stem retracts: Valve closes
- No voltage at Y1 or Y2: Actuator maintains its current position

**DC 0...10 V control signal**  
SSP61...

- The valve opens / closes in proportion to the control signal at Y.
- At DC 0 V, the valve V...P47... is fully closed (A → AB).
- When power supply is removed, the actuator maintains its current position.

**Features and benefits**

- Position indication
- Locking-proof, maintenance-free gear train
- Manual override with hexagonal socket wrench 3 mm
- Reduced power consumption in the holding positions
- Load-dependent switch-off in the event of overload and in stroke end positions
- Parallel operation of 6 SSP31..., 24 SSP81... and 10 SSP61... possible, provided the controllers' output is sufficient
- Terminal block connectors for customer made cables available (only for use with AC 24 V and AC / DC 24 V actuators)
- Connecting cables with AC 24 V and AC 230 V connectors cannot be mixed up
- Halogen-free cable available



**Notes**

**Engineering**

The actuators must be electrically connected in accordance with local regulations (refer to «Connection diagrams»), page 8.

**⚠ Caution**

**Regulations and requirements to ensure the safety of people and property must be observed at all times!**

The permissible temperatures (refer to «Technical data», page 6) must be observed. The connecting cable of the actuator may come into contact with the hot valve body, provided the temperature of the valve body does not exceed 80 °C.

**Mounting**

Valves V..P47...

The Mounting Instructions 74 319 0497 0 are enclosed in the product packaging.

Assembly is made with the coupling nut; no tools or adjustments are required.

The actuator without operating voltage must be fitted in position 0 (also refer to «Manual override», page 5):

**⚠ Caution**

- Position the actuator and tighten the coupling nut manually
- Do not use any tools such as wrenches
- Avoid lateral pressure or (cable) tension on the mounted actuator!

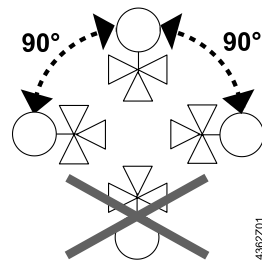
In the case of actuators without connecting cable (SSP.../00), the separately ordered terminal block connector and connecting cable must be fitted.

Valves

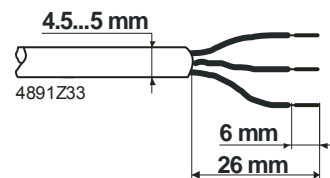
2W... / 3W... / 4W...

Mounting adapter AL100 is required

**Orientation**



**Installation**



Crimp ferrule on stripped wire of connecting cable.

**Commissioning**

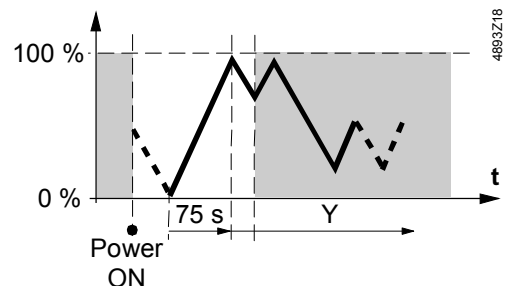
When commissioning the system, check wiring and the functions of the actuator.

- Actuator stem extends (from position 0 to 1): Valve opens
- Actuator stem retracts (from position 1 to 0): Valve closes

**Self-calibration**

**⚠ Caution**

**During commissioning and whenever the operating voltage is switched on, the SSP61... runs a self-calibration routine. (Valve stroke 0 → Max. stroke → Setpoint). Never intervene manually in this process.**



**Note:** Correct calibration is only possible with valve.

The second or third attempt at calibration occurs automatically after an 8-minute delay.

After three failed calibration attempts the actuator stem remains in the extended position and the V...P47... valves are opened.

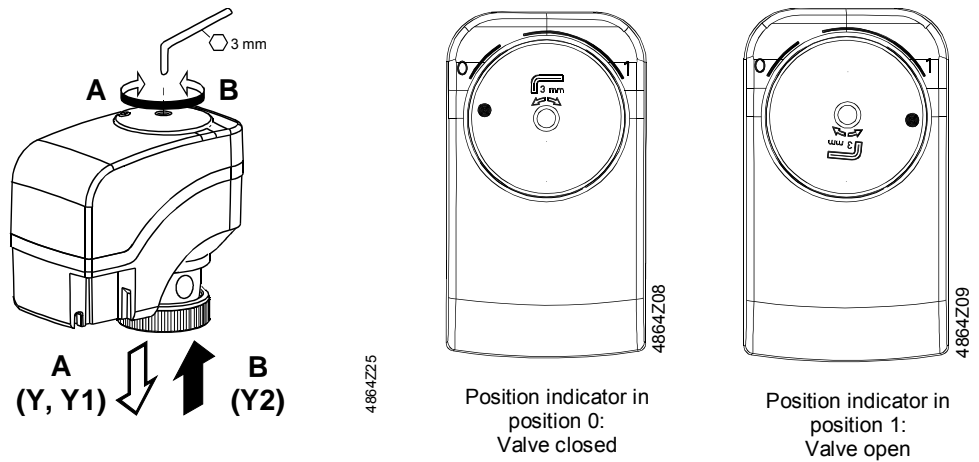
**Operation**

A 3 mm hexagonal socket wrench can be used to move the actuator to any position between 0 and 1. However, if a control signal from the controller is present, then this takes priority in determining the position.

**Note**

To retain the manually set position, unplug the connecting cable or switch off the operating voltage and the control signal.

**Manual override**



**Maintenance**

The actuators are maintenance-free.

When carrying out service work on the plant, following must be noted:



- Turn power off (e.g. remove the plug)
- If necessary, disconnect electrical connections from the terminals
- The actuator must be commissioned only with a correctly mounted valve in place!

**Repairs**

SSP... actuators cannot be repaired; the complete unit must be replaced.

**Disposal**


	<p>The device is considered an electronics device for disposal in terms of European Directive 2012/19/EU and may not be disposed of as domestic garbage.</p> <ul style="list-style-type: none"> <li>• Dispose of the device through channels provided for this purpose.</li> <li>• Comply with all local and currently applicable laws and regulations.</li> </ul>
--	--

**Warranty**

The technical data given for these applications is valid only when the actuators are used with the Siemens valves listed under «Equipment combinations», page 3.

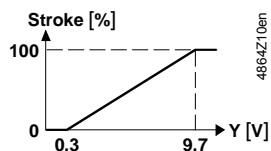
**The use of the SSP... actuators in conjunction with third-party valves invalidates any warranty offered by Siemens Switzerland Ltd / HVAC Products.**

## Technical data

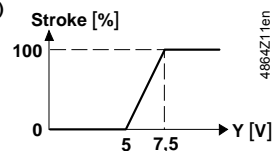
		SSP31...	SSP81...	SSP61...
Power supply	Operating voltage	AC 230 V	AC 24 V	AC 24 V or DC 24 V
	Voltage tolerance	± 15 %	± 20 %	± 20 % ± 25 %
	Rated frequency	50 / 60 Hz		
	Max. power consumption	6 VA	0.8 VA	2.5 VA
Control	 Fuse for incoming cable (fast)	2 A, quickblow		
	Control signal	3-position		DC 0...10 V <sup>1)</sup>
	Active stroke range for DC 0...10 V			DC 0.3...9.7 V <sup>2)</sup>
	Input impedance for DC 0...10 V			> 100 kOhm
	Parallel operation (number of actuators) <sup>4)</sup>	max. 6	max. 24	max. 10
Functional data	Run time for 2.5 mm stroke at 50 Hz	150 s		34 s
	SSP81.04		43 s	
	Positioning speed	60 s/mm		13,6 s/mm
	SSP81.04		17,2 s/mm	
	Nominal stroke	2.5 mm (max. 5.5 mm)		
	Nominal force	160 N		
	Permissible temperature of medium in the connected valve:	1 ... 110°C		
Electrical connections	Connecting cable of basic types	1.5 m 3-core to EN 60320 / IEC 60227		
	ASY 99, ASY100			
	cable diameter	< 5 mm		
	wire cross section	0.5...0.75 mm <sup>2</sup>		
	ASY3L.. wire cross section	0,75 mm <sup>2</sup>		
	ASY6L.., ASY8L.. wire cross section			0,5 mm <sup>2</sup>
Norms and directives	Electromagnetic compatibility (Application)	For residential, commercial and light- industrial environments		
	Product standard	EN60730-x		
	EU Conformity (CE)	A5W90000902 <sup>5)</sup>	A5W90000904 <sup>5)</sup>	
	RCM Conformity	A5W90000927_A <sup>5)</sup>	A5W90000927_A <sup>5)</sup>	
	EAC Conformity	Eurasia Conformity		
	Protection class to EN 60730	II	III	
	Contamination level	EN 60730, Class 2		
	Housing protection Upright to horizontal	IP40 to EN 60529		
	UL approbation		UL 873	
	cUL approbation		C22.2 No. 24	
	Environmental compatibility	The product environmental declaration CE1E4864en01 <sup>5)</sup> contains data on environmentally compatible product design and assessments (RoHS compliance, materials composition, packaging, environmental benefit, disposal).		
Dimensions / weight	Dimensions	refer to «Dimensions», page 9		
	Coupling thread to valve	coupling nut M30 x 1.5 mm		
	Weight	0.35 kg		
Housing colors	Base	RAL 7035 light gray		
	Cover	RAL 9003 signal white		

1) Control signal input protected against wrong connection of AC / DC 24 V

2)



3)



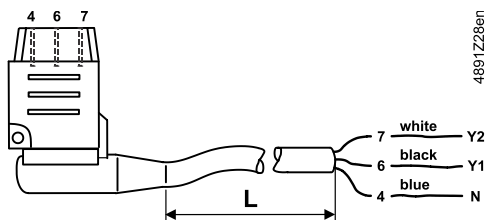
- 4) Provided the controllers' output is sufficient  
 5) The documents can be downloaded from <http://siemens.com/bt/download>

### General ambient conditions

	Operation EN 60721-3-3	Transport EN 60721-3-2	Storage EN 60721-3-1
Environmental conditions	Class 3K3	Class 2K3	Class 1K3
Temperature	+1...+50 °C	-25...+70 °C	-5...+50 °C
Humidity	5...85 % r.h.	< 95 % r.h.	5...95 % r.h.

### Connecting cable

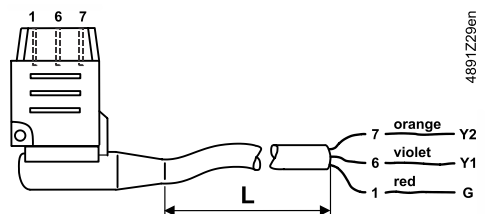
ASY3L.. with SSP31..



7	White	Y2	Control signal CLOSE (AC 230 V)
6	Black	Y1	Control signal OPEN (AC 230 V)
4	Blue	N	Neutral

L = 2,5 m, or 4,5 m

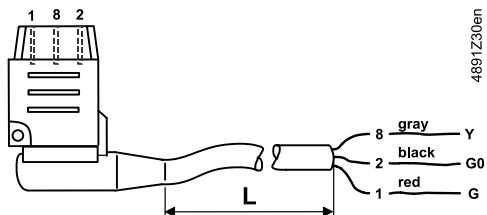
ASY8L.. with SSP81..



7	Orange	Y2	Control signal CLOSE (AC 24 V)
6	Violet	Y1	Control signal OPEN (AC 24 V)
1	Red	G	System potential AC 24 V

L = 2,5 m, or 4,5 m

ASY6L.. with SSP61..

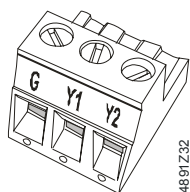


8	Grey	Y	Control signal DC 0...10 V
2	Black	G0	System neutral (- DC 24 V)
1	Red	G	System potential AC 24 V (+ DC 24 V)

L = 2,5 m, or 4,5 m

### Connection terminals

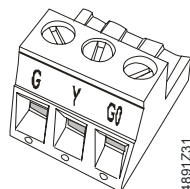
ASY99  
for SSP81..



Y2	Control signal CLOSE
Y1	Control signal OPEN
G	System potential AC 24 V

4894Z15

ASY100  
for SSP61

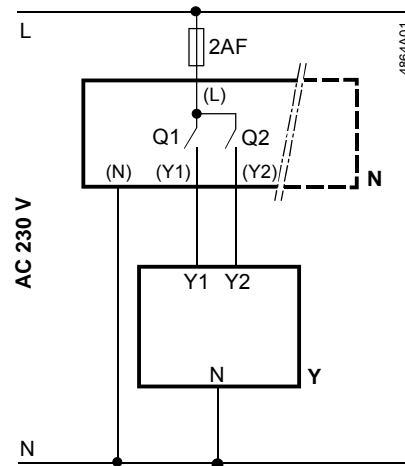


G0	System neutral
Y	Control signal DC 0 ... 10 V
G	System potential AC / DC 24 V

4894Z16

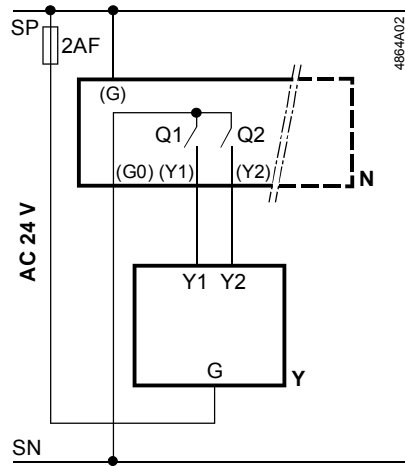
## Connection diagrams

SSP31...



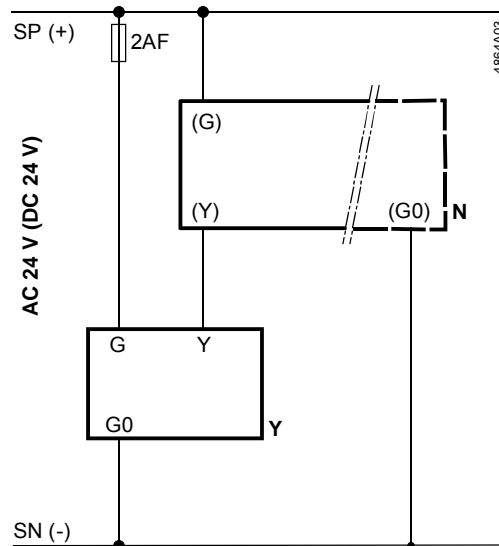
N Controller  
 Y Actuator  
 L System potential AC 230 V  
 N System neutral  
 Y1, Y2 Control signal OPEN, CLOSE  
 Q1, Q2 Controller contacts

SSP81...



N Controller  
 Y Actuator  
 SP, G System potential AC 24 V  
 SN, G0 System neutral  
 Y1, Y2 Control signal OPEN, CLOSE  
 Q1, Q2 Controller contacts

SSP61...

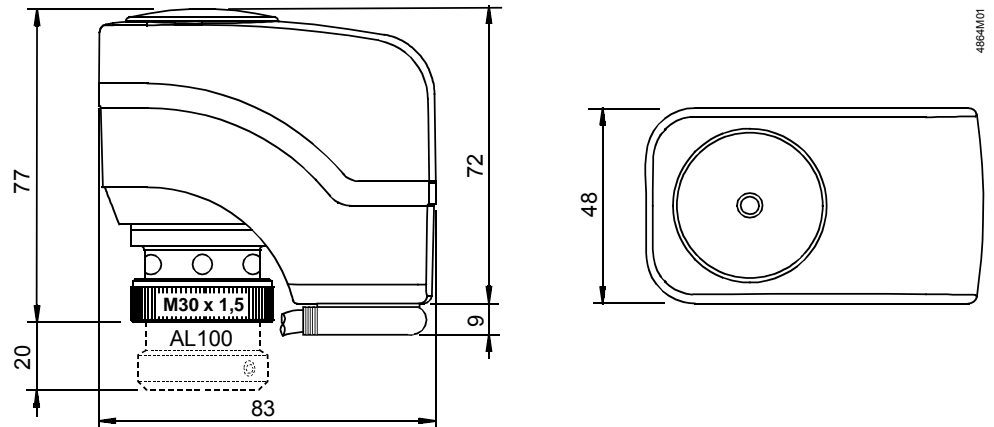


N Controller  
 Y Actuator  
 SP, G System potential AC / DC 24 V  
 SN, G0 System neutral  
 Y Control signal DC 0...10 V



## Dimensions

All dimensions in mm



## Revision numbers

Type reference	Valid from Rev.-No.	Type reference	Valid from Rev.-No.
SSP31	J	SSP61	J
SSP81	J		
SSP81.04	J		

Issued by  
Siemens Switzerland Ltd  
Building Technologies Division  
International Headquarters  
Theilerstrasse 1a  
6301 Zug  
Switzerland  
Tel. +41 58-724 24 24  
[www.siemens.com/buildingtechnologies](http://www.siemens.com/buildingtechnologies)  
10/10

© Siemens Switzerland Ltd, 2004-2016  
Technical specifications and availability subject to change without notice.