

Synco™ 700

Switching and monitoring device

RMS705B

- Various switching and monitoring functions combined with mathematical and physical operations (calculations, minimum, maximum and average calculations, enthalpy, signal doubler/inverter).
- Lead/lag control of pumps, fans, motors, refrigeration machines, etc. with runtime balancing.
- 3 universal controllers with limiting function.
- Data acquisition: Pulse count (for display purposes), operating hours count, trend display of data as well as event logging (e.g. for legionella function).
- Freely configurable, thanks to extended configuration options.
- For additional, universal inputs for displaying and monitoring/alarming.
- Modular extendable with extension modules RMZ785, RMZ787, and RMZ788.
- Menu-driven operation with separate operator unit: Plug-in type or detached mounting.
- KNX bus connection for operation and process information.

Application

- To control and monitor plant elements from heating, ventilation and refrigeration technology
- Free configuration of application

The device offers extended configuration opportunities for free configuration as part of the available function blocks and includes, for this reason, no predefined standard applications.

As is the case for all Synco™ 700 devices, once an application is created, it can be archived as readable and writable parameter sets and can be reused for additional plants as modified or identical applications.

Functions

Universal inputs

8 universal inputs for

- Passive or active analog input signals of the following measured values (°C, %, g/kg, kJ/kg, W/m², bar, mbar, m/s, Pa, and ppm, Universal 000.0, Universal 0000, pulse).
- Digital input signals (potential-free contacts)

Additional I/Os through extension modules

Additional inputs and outputs to extend functionality.

Total **max. 4 extension modules per RMS705B** can be connected.

Select from:

- 1x universal module RMZ785 (8 UI)
- 2x universal modules RMZ787 (4 UI, 4 DO)
- 2x universal modules RMZ788 (4 UI, 2 AO, 2 DO)

Maximum extension results:

- Maximum 28 universal inputs (LG-Ni1000, 2x LG-Ni1000, Pt1000, T1, DC 0...10 V, 0...1000 Ω (setpoint), digital, pulse (mechanical, electronic)).
- Maximum 18 control output relays.
- Maximum 8 modulating outputs DC 0...10 V.

Data acquisition

Pulse meter (for display only, not for billing purposes).

4 meters are available to acquire consumption data.

Pulses from gas, hot water, cold water and electricity meters are processed.

- Pulse metering (Wh, kWh, MWh, kJ, MJ, GJ, ml, l, m³, heating costs units, BTU, no unit).

Hours run counter

4 operating hour meters are available with the current display of

- Operating hours
- Maintenance message (with adjustable time interval)
- Operating hours since the last maintenance

Trend data display

Up to 4 independent trend channels available to log measured values for a set period.

Room temperature and outside air temperatures can be logged by the KNX bus in addition to logical device inputs.

Event logging (e.g. for legionella function)

Four event loggers are available. Use the event logger to log events and monitor their mandatory occurrence.

- Logging of the last 10 events per logger with time and date stamp upon reaching value "Limit value on" and "Limit value off".
- Save max. or min. value during event.
- Selectable fault message for breaching or exceeding the minimum and maximum
 - Event cycle time.
 - Event length.

Control and monitor functions

Universal motor blocks

Six universal motor blocks are available to control and monitor motors.

Applicable per motor block

- 1-speed motor (pump, fan)
- 2-speed motor (fan)
- Twin motor (twin motor, twin pump)
- Precommand for preceding dampers and valves
- Various adjustable times
- Motor kick and ON for low outside air temperature
- Operating hours per motor block

Rotary step switch

2 rotary step switches are available with selectable step switch characteristic per block as

- Linear step switch
- Binary step switch
- Flexible step switch
- With staged precommand, switching and modulating outputs
- Lead/lag control of pumps, fans, motors, refrigeration machines, etc. with runtime balancing
- Various adjustable times

Logic function blocks

10 freely configurable logic function blocks are available to process multiple logically linked universal input variables.

- Configurable logic functions: AND, NAND, OR, NOR, EXOR and EXNOR
- Adjustable switch-on and switch-off delay and minimum switch-on and switch-off time.
- Operating switch (AUTO, ON, OFF), configurable for manual control.

7-day time switches

Six 7-day time switches with the following functions are available:

- 6 switch on and off time daily, configurable relay output.
- Yearly time switch with automatic summer-/wintertime changeover.
- Operating switch (AUTO, ON, OFF), configurable for manual control.
- Configurable vacation and special day program.
- Can receive other weekly scheduler programs via KNX bus as slave (transmission not possible).

Comparators

- 2 comparators are available to compare two analog input signals.
- Output signal with adjustable switch on and off delay as well as adjustable minimum switch on and off period.

Calculators

- Calculators can convert input values by self-generated formula or using optional standard formulas (A-B) x C in output values (DC 0...10 V).
- 4 base operations are available as well as exponential and root functions ($n^{0.5}$).

Min-max-average

- 2 function blocks with 5 inputs each for minimum and maximum selection and average calculation (output signals: DC 0...10 V).
- The split function is subdivided into 5 inputs in two ranges (2 inputs and 3 inputs).

Enthalpy calculation

The following variable can be calculated from temperature and the relative humidity (both via inputs; output signals: DC 0...10 V):

- Enthalpy
- Absolute humidity
- Enthalpy difference
- Dew point temperature
- Wet bulb temperature

Signal inverter/signal doubler

- Splitting an input signal to two DC 0...10 V outputs and inverting output signals.
- Signal doubling for sequential control of pumps, valves and fans.

Heating/cooling demand

Collect, evaluate and forward heat and cooling demand from and via the KNX bus. Can also be configured:

- Modulating (DC 0...10 V) output (e.g. for demand-dependent setpoint adjustment for a refrigeration machine).
- Relay output (e.g. to switch-on/switch-off a refrigeration machine).
- Demand-dependent setpoint shift acting on a primary controller.
- Adjustable setpoint increase for use with primary controller.

HC changeover

- If a 2-pipe system (heating/cooling) is used, you can switch heating/cooling via a digital or analog input, via an operating mode switch (auto, heating, cooling), by date or via the KNX bus.
- The heating/cooling signal can be sent to the KNX bus or issued via a relay.

Fault messages

Fault indication with red LED, acknowledgement with button.

The following options are available:

- 20 universal inputs as fault signal inputs; fault messages from KNX bus are also configurable.
- 2 relay outputs as fault message relay.
- 1 digital input; for external reset of fault messages.

Control functions

Universal controller

3 universal controllers as PID sequence controllers with 2 sequence outputs each (1 heating sequence, 1 cooling sequence) per sequence controller.

- Control to an absolute variable or a differential variable.
- General limitation function (minimal/maximal) with PI mode per universal controller either as an absolute limitation or as relative temperature limitation.
- Individually adjustable heating and cooling setpoints (or high and low setpoints) for Comfort and Eco.
- Universal adjustment: The setpoint can be adjusted based on another variable or adapted to a remote setpoint transmitter.
- Setpoint changeover between operating modes Comfort and Eco using a digital input.
- Adjustable control timeout.

Bus functions

Universal bus applications

- Remote operation of KNX functions via a KNX network with RMZ792 bus operating unit.
- Remote operation/monitoring of plant and devices (in the KNX network) via Internet with Web server OZW77x...
- Indication of fault status messages delivered by other devices on the bus.
- Delivery of a common fault status message from all devices on the bus to a fault relay.
- Time synchronization.
- Passing on and adoption of outside temperature signal.
- Sending or receiving the yearly timeswitch schedule (holidays/special days) from some other controller.
- Receipt of weekly schedule from another controller.
- Sending or receiving the annual program for the holidays/special days from another controller.
- Receive and send a demand signal (hot water, chilled water) to the primary controller or the hot water/chilled water source.
- Receiving and evaluating refrigeration demand signals if configured as a primary controller or hot water/chilled water source.

Universal transmission and reception zones

Device RMS705B allows for universal data exchange via own terminals as well as via terminals of extension modules RMZ78x.

Data between devices is exchanged via KNX bus.

Universal inputs, digital and analog outputs of RMS705B can be used as transmission objects (for transmission zones).

Universal inputs of RMS705B can be used as reception objects (in reception zones).

- Transmission zones:
 - Universal inputs (N.X1...A8(2).X4)
 - Digital outputs (N.Q1...A8(2).Q5)
 - Analog outputs (N.Y1...A8(2).Y2).
- Reception zones:
 - Universal inputs (N.X1...A8(2).X4).

Examples for not allowed applications

The following applications or input/output values may **not** be implemented using universal transmission and reception zones:

- Safety-relevant plants and equipment (e.g. fire alarm off, smoke extraction, frost protection function).
- If request "Simultaneous start condition of plants" exists.
- Applications where communications failure of transmission or reception zones may cause damage.
- Time-critical control paths or control paths with greater degree of difficulty (e.g. speed control via pressure, humidity).
- Main controlled variables that must be available.
- Acquisition and evaluation of pulses.

Note

After RMS705B power-up, it may take some time until the bus signals are available. This may result in faulty plant behavior in the case of transmission and reception zone applications that are not allowed.

Service and operating functions

- Display of setpoint and actual values
- Outside temperature simulation
- Input terminal simulation
- Wiring test
- Data backup

Type summary

Switching and monitoring device	Type SSN	Universal inputs	Positioning outputs	Swiching outputs
	RMS705B-1 S55370-C100	8	4	6

Selection of languages

The following languages are loaded:

English, German, French, Italian, Spanish, Portuguese, Dutch, Danish, Finnish, Norwegian, Swedish, Polish, Czech, Hungarian, Russian Slovakian, Bulgarian, Greek, Romanian, Slovenian, Serbian, Croatian, Turkish, Chinese.

Note

Starting from software version 3.00, all languages are included in the same type.

Accessories

Operator / service units

Name	Type	Data sheet
Plug-in type operator unit	RMZ790	N3111
Detached operator unit	RMZ791	N3112
Bus operator unit	RMZ792	N3113
Service tool	OCI700.1	N5655
Service terminal + service tool	OCI702 + ACS790	A6V10438951 N5649
Web server	OZW772...	N5701

Extension modules

Universal module with 8 universal inputs	RMZ785	N3146
Universal module with 4 universal inputs and 4 relay outputs	RMZ787	N3146
Universal module with 4 universal inputs, 2 relay outputs and 2 analog outputs (DC 0...10 V).	RMZ788	N3146
Module connector for detached extension modules	RMZ780	N3138

Ordering

When ordering, please specify the quantity, product name and type code for the device, e.g: Switching and monitoring device **RMS705B-1**.
The devices and components listed under "Accessories" must be ordered as separate items.

Equipment combinations

Possible equipment combinations are available in HIT.

Product documentation

<i>Documentation type</i>	<i>Document no.</i>
Product range description: Synco™ 700	CE1S3110en
Basic documentation, detailed description of all functions	CE1P3124en
Installation instructions RMB795B, RMS705B, RMU7..B	CE1G3151xx
Data sheet for KNX bus	CE1N3127en
Synco KNX S-mode data points	CE1Y3110en
Basic documentation Communication via KNX bus	CE1P3127en

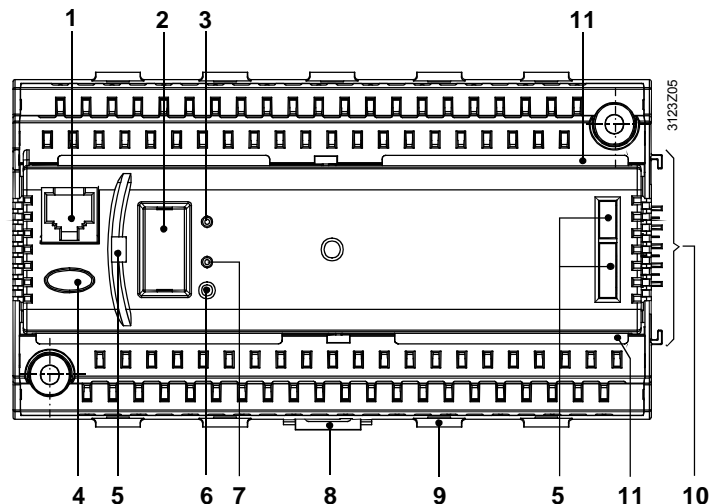
Technical design

The device allows free configuration of application using the operating units RMZ790 or RMZ791.
For operating actions of the functions, refer to the Basic Documentation CE1P3124en.

Mechanical design

The unit consists of a device insert and terminal base. The terminal base has two terminal levels as well as connection elements (electrical and mechanical) for one extension module. The device insert with its printed circuit boards is attached to the terminal base.
The device can be mounted on a top hat rail (EN 60 715-TH35-7.5), or directly on a wall.
The controller is operated either with the plug-in type or detached operator unit (refer to "Accessories").

Operating, display and connecting elements



Key

- 1 Connection facility for the service tool (RJ45 connector)
- 2 Removable cover with connection facility for the operator unit
- 3 LED "RUN" device operating status display; with the following meanings:
 - LED lit:* Supply voltage, no fault in application and periphery
 - LED off:* No supply voltage or application fault / periphery
- 4 Button "⏏" with LED (red) displays a fault status message and its acknowledgement; meanings as follows:
 - LED blinking:* Fault status message, ready to acknowledge
 - LED lit:* Fault status message pending, but not yet reset
 - LED off:* No fault status message
 - Press button:* Acknowledge fault or reset
- 5 Openings for plug-in type operator unit RMZ790
- 6 Programming button "Prog": Learning button to changeover between the normal mode and the addressing mode to assume the physical device address (requires tool to operate)
- 7 Programming LED "Prog" to display normal mode (LED off) or addressing mode (LED on) to assume physical device address
- 8 Catch for fitting the controller to a top hat rail
- 9 Fixing facility for a cable tie (cable strain relief)
- 10 Electrical and mechanical connection elements for extension module
- 11 Rest for the terminal cover

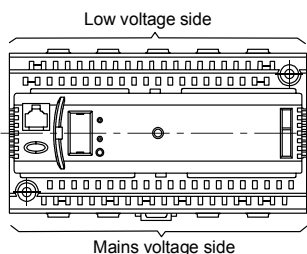
Engineering



- AC 24 V voltage required to power the device. It must meet requirements for SELV/PELV (safety extra low-voltage).
- The transformers used must be safety isolating transformers featuring double insulation to EN 60 742 or EN 61 558-2-6; they must be suited for 100 % duty
- Fuses, switches, wiring and earthing must be in compliance with local regulations
- Sensor wires should not be run parallel to mains carrying wires that power fans, actuators, pumps, etc.
- A maximum of 4 extension modules can be connected to the RMS705B (for combinations, see section "Functions").

Mounting and installation

- The device and extension modules are designed for:
 - Mounting in a standard cabinet as per DIN 43 880.
 - Wall mounting on an existing tophat rail (EN 50 022-35x7.5).
 - Wall mounting using two fixing screws.
 - Flush panel mounting.
- Not permitted in wet or damp spaces. The permissible environmental conditions must be observed.
- If the controller is not operated inside a control panel, use the detached operator unit RMZ791 in place of the plug-in type operator unit RMZ790.
- Disconnect the system from the power supply prior to mounting and installation the device.
- **The device insert may not be removed from the terminal base!**
- If extension modules are used, they must be attached to the right side of the device in the correct order in accordance with the internal configuration.
- The extension modules require no wiring between themselves or to the device. The electrical connections are made automatically when attaching the modules. If it is not possible to arrange the extension modules side by side, the first of the detached modules must be connected to the last previous module or to the device using the RMZ780 module connector. In that case, the cumulated cable length may not exceed 10 m.
- All connection terminals for protective extra low-voltage (sensors, data bus) are located in the upper half of the unit, those for mains voltage (actuators and pumps) at the bottom
- Each terminal (spring cage terminal) can only accommodate one solid wire or one stranded wire. Cables must be stripped to 7 to 8 mm to connect. To introduce the cables into the spring cage terminals and to remove them, a screw driver size 0 or 1 required. Cable strain relief can be provided with the help of the fixing facility for cable ties.
- The device mounted on a top hat rail together with modules can only be removed from the rail after the module directly attached to the device has been removed
- Installation instructions are packed with the device.



Commissioning

- Using the operator unit RMZ790 or RMZ791, or the service tool, staff trained by **Siemens** and having the required access rights can change the configuration and the parameters of the application programmed in the device online or offline at any time using the service tool.
- During the commissioning process, the application is deactivated and the outputs are in a defined off state. This means that no process and alarm signals will then be delivered to the bus
- On completion of the configuration, the device automatically makes a new start
- When leaving the commissioning pages, the peripheral devices connected to the universal inputs (including the extension modules) are automatically tested and identified. If a peripheral device is missing, a fault status message will be delivered
- The operator unit can be removed and plugged in or connected while operating.
- If adaptations to specific plants are required, they must be recorded and the documentation kept inside the control panel.
- For the procedure to be followed when starting up the plant for the first time, refer to the installation instructions.



Maintenance

The switching and monitoring device RMS705B is maintenance free (no batteries, no fuses). Use only a dry towel to clean the housing.


Repair

The switching and monitoring device RMS705B cannot be repaired on site.

Disposal

 	<p>The device is considered electrical and electronic equipment for disposal in terms of the applicable European Directive and may not be disposed of as domestic garbage.</p> <ul style="list-style-type: none">• Disassemble the valve into individual parts prior to disposing of it and sort the individual parts by the various types of materials.• Comply with all local and currently applicable laws and regulations.
---	---

Technical data

Power supply (G, G0)	Rated voltage	AC 24 V ±20 % (SELV)
	Requirements for external safety isolating transformer (100 % ED, maximum 320 VA) to	EN 60 742 / EN 61 558-2-6
	Frequency	50/60 Hz
	Power consumption (excl. modules)	12 VA
	External supply line protection	fuse max. 10 A (slow release) or automatic circuit breaker max. 13 A tripping characteristic B, C, D according to EN 60898 or power supply with current limiting at 10 A
Functional data	Clock reserve	48 hours typical, min. 12 hours
Universal inputs Measured value inputs (X...)	Number	refer to "Type summary"
	Sensors	
	Passive	LG-Ni1000, T1, Pt1000 2x LG-Ni1000 (averaging) 0...1000 Ω, DC 0...10 V
	Active	DC 0...10 V
Status inputs (X...)	Contact sensing	
	Voltage	DC 15 V
	Current	5 mA
	Requirements for status contacts	
	Signal coupling	potential-free
	Type of contact	maintained contact
	Insulating strength against mains potential	AC 3750 V to EN 60 730
	Requirements for pulse contacts	Screened cables recommended
	Signal coupling	potential-free
	Type of contact	Pulse contact
	Mechanical transmitter (reed contract)	
	Maximum pulse frequency	25 Hz
	Minimum pulse length	20 ms (with max. 10 ms bounce length)
	Electronic transmitter	
	Maximum pulse frequency	100 Hz
Minimum pulse length	5 ms	
Insulating strength against mains potential	AC 3750 V to EN 60 730	
Perm. resistance		
Contacts closed	max. 200 Ω	
Contacts open	min. 50 kΩ	
Outputs Positioning outputs Y...	Number of positioning and switching outputs	refer to "Type summary"
	Output voltage	DC 0...10 V
	Output current	±1 mA
	Max. load	continuous short-circuit
 Switching outputs AC 230 V (Q1x...Q7x)	External supply line protection	
	Non-renewable fuse (slow)	max. 10 A
	Automatic line cutout	max. 13 A
	Release characteristic	B, C, D to EN 60 898
	Relay contacts	
	Switching voltage	Max. AC 250 V min. AC 19 V
	AC current	max. 4 A res., 3 A ind. (cos φ = 0.6)
	At 250 V	min. 5 mA
	At 19 V	min. 20 mA
	Switch-on current	max. 10 A (1 s)
	Contact life at AC 250 V	Guide value
	At 0.1 A res.	2 x 10 ⁷ cycles
	At 0.5 A res.	4 x 10 ⁶ cycles (N. O.) 2 x 10 ⁶ cycles (changeover)
	At 4 A res.	3 x 10 ⁵ cycles (N.O.) 1 x 10 ⁵ cycles (changeover)
	Red. factor at ind. (cos φ = 0.6).	0.85

Power supply ext. devices (G1)	Insulating strength	
	between relay contacts and system electronics (reinforced insulation)	AC 3750 V, to EN 60 730-1
	between neighboring relay contacts (operational insulation) Q1↔Q2; Q3↔Q4; Q6↔Q7	AC 1250 V, to EN 60 730-1
	between relay groups (reinforced insulation) (Q1, Q2) ↔ (Q3, Q4) ↔ (Q6, Q7)	AC 3750 V, to EN 60 730-1
Power supply ext. devices (G1)	Voltage	AC 24 V
	Power	Max. 4 A
Interfaces	KNX bus	
	Type of interface	KNX-TP1
	Bus loading number	2.5
	Bus power supply (decentral., can be switched off)	25 mA
	Power failure of short duration to EN 50 090-2-2	100 ms with 1 extension module
	Extension bus	
	Connector specification	4 contacts SELV/PELV
	Number of plug-in cycles	max. 10.
	Service tool connection facility	RJ45 connector
	Permissible cable lengths	For passive measuring and positioning signals
Type of signal		
LG-Ni 1000, T1		max. 300 m
Pt 1000		max. 300 m
0...1000 Ω		max. 300 m
Contact sensing (status and impulse contacts).		max. 300 m
For DC 0...10 V measuring and control signals		refer to Data Sheet of the signal delivering device
For KNX bus	max. 700 m	
Type of cable	2-core without screening, twisted pairs	
For switching outputs (Q1x...Q7x)	Max. 300 m	
Electrical connection	Connection terminals	Spring cage terminals
	For wires	Ø 0,6 mm ... 2.5 mm ²
	For stranded wires without ferrules	0.25 ... 2.5 mm ²
	For stranded wires with ferrules	0.25 ... 1.5 mm ²
KNX bus connection	Non-interchangeable	
Degree of protection	Degree of protection of housing to IEC 60 529	IP 20 (when mounted)
	Safety class to EN 60 730	device suited for use with equipment of safety class II
Ambient conditions	Operation to	IEC 60 721-3-3
	Climatic conditions	Class 3K5
	Temperature (housing and electronics)	0...50 °C
	Humidity	5...95 % r. h. (non-condensing)
	Mechanical conditions	Class 3M2.
	Transport to	IEC 60 721-3-2
	Climatic conditions	Class 2K3
Temperature	-25...+70 °C	
Humidity	<95 % r. h.	
Mechanical conditions	Class 2M2	
Classifications to EN 60 730	Mode of operation, automatic controls	Type 1B
	Degree of contamination, controls' environment	2
	Software class	A
	Rated surge voltage	4000 V
	Temperature for ball-pressure test of housing	125 °C
Materials and colors	Terminal base	Polycarbonate, RAL 7035 (light-gray)
	Controller insert	Polycarbonate, RAL 7035 (light-gray)
	Packaging	Corrugated cardboard

Standards, directives and approvals

Product standard	EN 60730-1. Automatic electronic controls for household and similar use.
Product family standard	EN 50491-x. General requirements for Home and Building Electronic Systems (HBES) and Building Automation and Control Systems (BACS).
EU conformity (CE)	CE1T3110xx
RCM conformity	CE1T3110en_C1
EAC conformity	Eurasia conformity
Environmental compatibility The product environmental declaration contains data on environmentally compatible product design and assessments (RoHS compliance, materials composition, packaging, environmental benefit, disposal).	CE1E3110de01*)

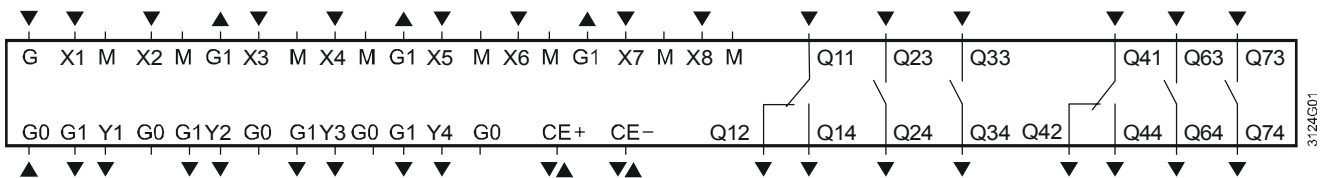
*)These documents can be downloaded at the following Internet address:
<http://siemens.com/bt/download>

Dimensions (weight)

Excl. packaging	0.49 kg
-----------------	---------

Connection diagrams

Connection diagram



Key

G, G0	Rated voltage AC 24 V
G1	Output voltage AC 24 V to power external, active devices
M	Measuring neutral for signal input
G0	System neutral for signal output
X1...X8	Universal signal inputs for LG-Ni1000, 2x LG-Ni1000 (mean values), T1, Pt1000, 0...1000 Ω, DC 0...10 V, pulse, contact query (potential-free)
Y1...Y4	Control or status outputs, analog DC 0...10 V
Q1x/Q4x	Potential-free relay outputs (changeover contact) for AC 24...230 V
Q2x/3x/6x/7x	Potential-free relay outputs (N.O. contact) for AC 24...230 V
CE+	KNX bus data line, positive
CE-	KNX bus data line, negative

Notes

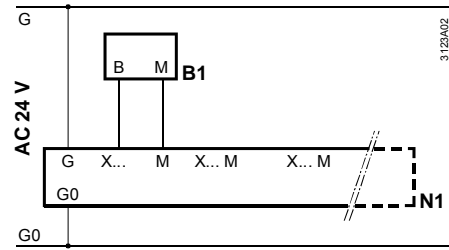
Each terminal (spring cage terminal) can only accommodate one solid wire or one stranded wire. Double terminals are internally interconnected.

Connection diagrams

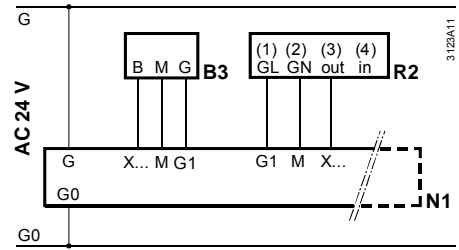
Connections on the measuring side

Examples:

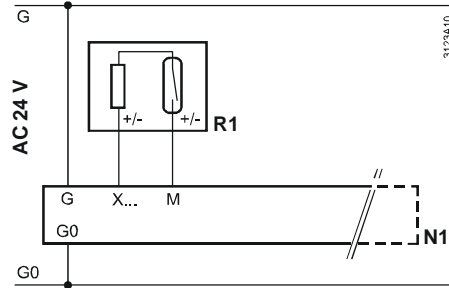
Connection diagram 1:
Measuring section with passive sensor



Connection diagram 2:
Measuring section with active sensor and active signal source



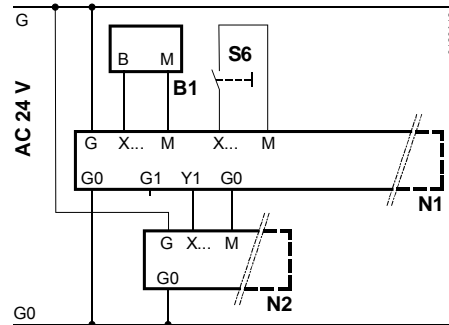
Connection diagram 3:
Measuring section with pulse transmitter



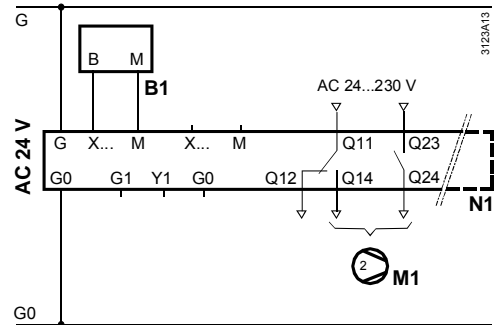
Recommendation:
Use shielded wires

Connections on the switching and monitoring side

Connection diagram 4:
Multiple use of sensor (B1, N2), external operating mode changeover (S6)



Connection diagram 5:
2-speed motor control (fan)



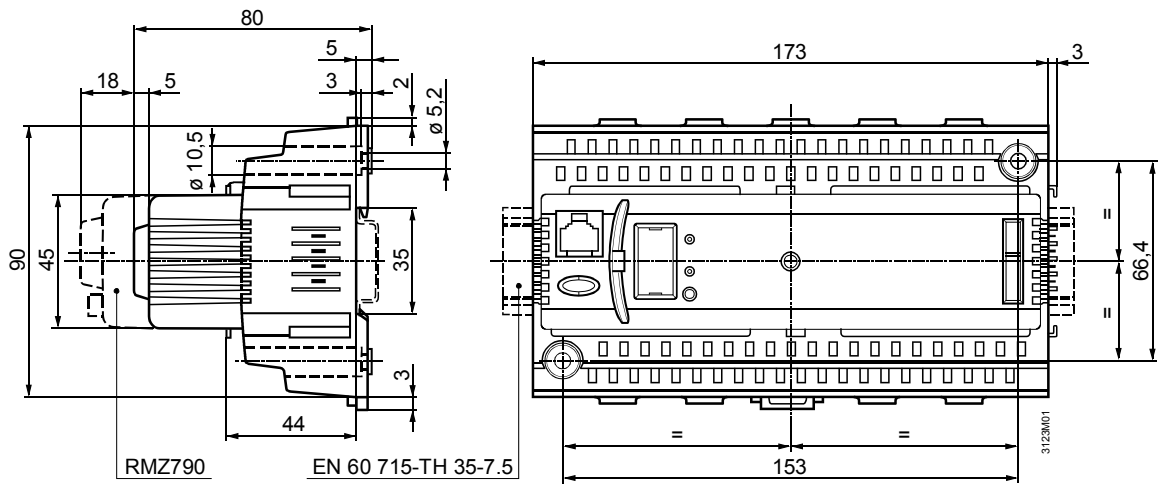
Legend to the connection diagrams 1 through 5

N1	RMS705B	R1	Reed pulse source
N2	Universal controller RLU210	R2	Setpoint adjuster BSG61
B1	Duct temperature sensor QAM21.20...	S6	HC operating mode changeover, manual
B3	Duct temperature sensor QAM2161.040	M1	2-speed fan

Note

See basic documentation CE1P3124en for required, internal configuration of the Switching and Monitoring Device RMS705B.

Dimensions



Dimensions in mm

Issued by
Siemens Switzerland Ltd
Building Technologies Division
International Headquarters
Gubelstrasse 22
6301 Zug
Switzerland
Tel. +41 58-724 24 24
www.siemens.com/buildingtechnologies

© Siemens Switzerland Ltd, 2010
Technical specifications and availability subject to change without notice.