



OpenAir™

Actuators for Fire and Smoke Protection Dampers

GRA126.1E/...
GRA326.1E/...

-
- Electric motor driven actuators for 2-position control, nominal torque 4 Nm, with spring return to failsafe position, mechanically adjustable span between 0...90°, prewired with 0.9 m long connecting cables
 - Operating voltage AC 24 V / DC 24...48 V or AC 230 V
 - Optional temperature monitoring unit with 3 thermal cutouts (72 °C) and test button
 - Fixed auxiliary switches for switching points 5° and 80°
 - Rigid connection between actuator and damper shaft

Use

For the control of fire and smoke protection dampers.

- Nominal torque of 4 Nm for damper surfaces up to about 0.6 m² (friction-dependent)
- In fire protection sections of plant where, in the event the thermal fuse cuts out at a duct or ambient temperature of 72 °C, or in case of a power failure, the actuator must travel to the failsafe position (zero position)

Functions

Basic functions

| | |
|---|---|
| Rotary movement | <ul style="list-style-type: none"> Direction of rotation (clockwise or counterclockwise) determined by the way the actuator is mounted on the damper shaft When operating voltage is applied, the actuator travels toward the 90° position |
| Failsafe function | <ul style="list-style-type: none"> If the thermal fuse cuts out at a duct or ambient temperature of 72 °C (Optional: 95 °C), the return spring drives the actuator to the failsafe position (0°) In the event of a power failure or if the operating voltage is turned off, the return spring drives the actuator to the failsafe position (0°) |
| Behavior in the event the damper is blocked | The actuator is equipped with an automatic switch-off mechanism. |
| Position indication | The position indicator located on the shaft adapter shows the rotational angle position of the damper blade. |
| Manual adjustment when actuator is dead | <ul style="list-style-type: none"> When dead, the actuator can be driven to any angular position using a hex wrench and can then be secured with a screwdriver The actuator returns to its zero position when mechanically delocked with a hex wrench (turning toward "90° - opening") or by applying power for a short moment |
| Rigid connection | Square shafts 10 x 10 or 12 x 12 mm. |

Type summary

| Operating voltage | Auxiliary switches | With temperature monitoring unit | Without temperature monitoring unit |
|-------------------------|--------------------------------------|--|--|
| AC 24 V DC 24...48 V | Fixed switching points at 5° and 80° | GRA126.1E/T10 GRA126.1E/T12 | GRA126.1E/10 GRA126.1E/12 |
| AC 230 V | Fixed switching points at 5° and 80° | GRA326.1E/T10 GRA326.1E/T12 | GRA326.1E/10 GRA326.1E/12 |

Delivery Due to the mounting choices depending on the direction of rotation and the shaft length, shaft adapter with position indicator and other mounting accessories are shipped unassembled together with the actuator.

Connecting cables The actuators come with 0.9 m long prewired connecting cables. The cable length to the ready fitted temperature monitoring unit is 0.9 m.

Accessories

| Designation | Type reference | Data sheet / mounting instruction |
|---|--|-----------------------------------|
| Duct tip to temperature monitoring unit | ASK79.4 / 72 °C ASK79.5 / 95 °C | A6V10890425 / M4610 |

Equipment combinations

The damper actuators can be used with all types of controllers having a 2-position output and delivering a switching voltage of AC 24 V / DC 24...48 V or AC 230 V.

Technical design

| | |
|---|---|
| Drive motor | The brushless DC motor ensures accurate speed control, torque monitoring for protecting the actuator and the air damper, and provides a reliable failsafe function. |
| Spring return mechanism in the event of power failure | Mechanical spring ensure the failsafe function. |

Mechanical design

Basic components

| | |
|-----------------------|--|
| Housing | Robust, lightweight all metal housing made from die-cast aluminium which guarantees a long service life even under extreme environmental conditions. |
| Gear train | Maintenance- and noise-free gear train with stall and overload protection for the life of the actuator. |
| Spring preload | The spring has a factory-set preload of 5° to ensure tight shutoff for the fire and smoke protection dampers. |
| Manual adjustment | A hole with a screw in the center of the actuator allows manual setting of the gears. A hex wrench is supplied. |
| Mounting bracket | A perforated bracket with pin available, depending on the way the actuator is fixed. |
| Electrical connection | All actuators come with prewired 0.9 m long connecting cables. |
| Note | The actuators can be mounted on either side depending on the required direction of rotation. All setting and operating elements are available on both sides of the actuator. |
| Auxiliary switches | Fixed switching points at 5° and 80°. |

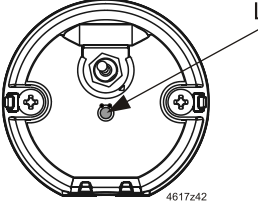
Temperature monitoring unit

Use

The temperature monitoring unit is ready connected to the actuator and is used for forced control of motorized fire and smoke protection dampers should excessive temperatures occur.

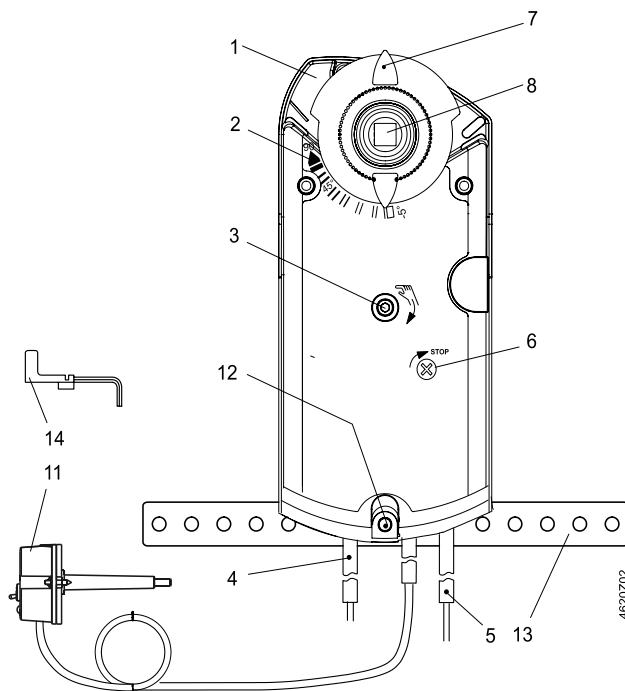
Mode of operation

The temperature monitoring unit contains 3 thermal fuses, two for monitoring the duct temperature and 1 for the ambient temperature. If the temperature at any of these fuses exceeds the level of 72 °C (Optional: 95 °C), the power supply will be irreversibly cut. As a result, the return spring will drive the actuator to the failsafe position. A test button is integrated for making functional checks. When pressed, the current path will be cut.

| LED functions | |
|---|---|
|  | <p>§ Red = Operating voltage OK. Thermo sensor defect</p> <p>§ Green = Operating voltage OK Thermo sensor OK</p> <p>~ Dark = No operating voltage</p> |

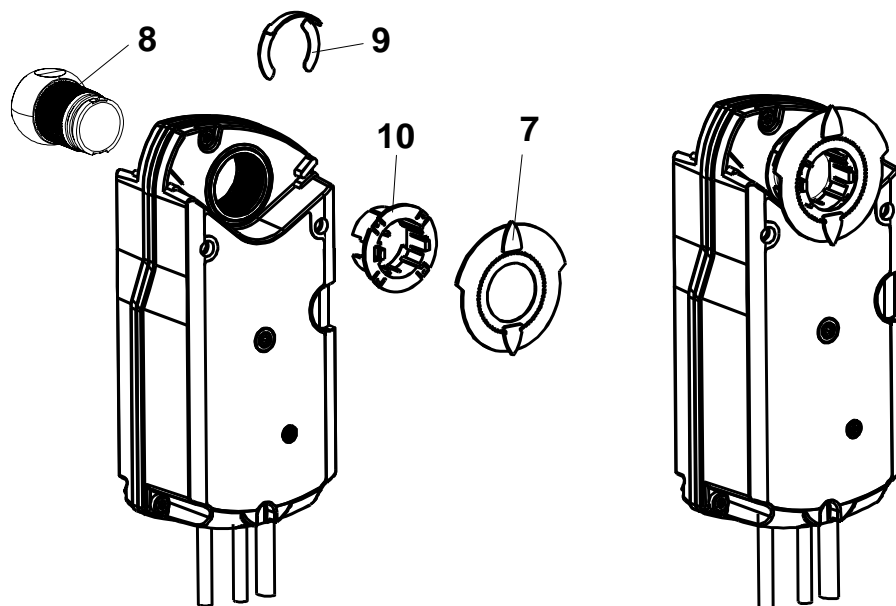
Refer to "Technical design" and "Commissioning notes" in this Data Sheet.

Setting and operating elements



- 1 Housing
- 2 Angle of rotation scale 0°...90°
- 3 Hexagon socket for manual override
- 4 Connecting cable for power supply
- 5 Connecting cable for auxiliary switches
- 6 Stop shaft for gear train
- 7 Position indicator
- 8 Shaft adapter
- 9 Locking ring for shaft adapter
- 10 Adapter for position indicator
- 11 Temperature monitoring unit
- 12 Pin
- 13 Mounting bracket
- 14 Hex wrench for manual override

Arrangement for shaft adapters



Engineering notes



The basic system data for the control systems in use contain all engineering notes. Read all the engineering notes before mounting, wiring and commissioning the damper actuator and pay special attention to all safety instructions.

Correct use

These damper actuators must be used on applications as described in the basic system data documents for the relevant control systems. Additionally, all actuator-specific features and rules must be observed as described in the brief description on the front page of this Data Sheet (bold print) and in "Use", "Engineering notes", and "Technical data".



All paragraphs marked with the special warning triangle as illustrated on the left contain additional safety instructions and limitations that must be observed under any circumstances to avoid physical injuries or damage to equipment.



Power supply
AC 24 V
DC 24...48 V

These actuators must be used with **safety extra low-voltage (SELV)** or **protection by extra low-voltage (PELV)** in accordance with HD 384.



Power supply
AC 230 V

The actuators are double-insulated and do not provide a connection for protective ground.



Auxiliary switches
"A", "B"

Use **either mains voltage or safety extra low-voltage** for auxiliary switches "A" and "B". Do not mix the 2 for operation. Operation with different phases is **not** permitted.



Warning,
maintenance

Do not open the actuator!

The actuator is maintenance-free. Maintenance work may only be carried out by the manufacturer.

Parallel connection
of actuators

Electric parallel connection of the same types of actuator is permitted provided operating voltage is within the required tolerance. Voltage drops on the supply lines must be taken into consideration

Sizing transformers
for AC 24 V

- Use safety isolating transformers with double insulation conforming to EN 60 742. The transformers must be suited for 100 % duty
- Observe all local safety rules and regulations relating to the sizing and protection of transformers
- Determine the transformer's size by adding up the power consumption in VA of all actuators used

Wiring and
commissioning

Refer to "Commissioning notes" and "Internal diagram" as well as to the plant diagram.

Mounting notes

Mounting instructions

For detailed information on the correct preparation of the actuator, refer to Mounting Instructions GRA...1E/.. A6V10890425. The actuator must be fitted to the fire and smoke protection damper as specified by the OEM. Shaft adapter and other accessory items come unassembled, since their assembly depends on the direction of rotation and the length of the shaft (refer to "Technical design").

Housing protection

In order to comply with the requirements of IP54 (temperature monitoring unit has IP54), the following mounting conditions must be satisfied:

- Always mount the actuator vertically (cable entry at the bottom) in the case of air dampers with horizontal shafts
- When the actuator is mounted directly on the damper shaft, the mounting angle may be a maximum of $\pm 45^\circ$

Mounting bracket /
pin

If the actuator is mounted directly on the damper shaft, the mounting bracket / pin must be used. The insertion depth for the shaft into the housing pin must be sufficient.

| | |
|---|---|
| Damper shafts | For information on minimum length and diameter of the damper shaft, refer to "Technical data". |
| Spring preload | The actuator is supplied with a 5° spring preload to ensure a certain closing pressure for the air damper. |
| Mechanical limitation of the rotational angle | If required, the angle of rotation can be limited in increments of 5° for the entire correcting span by placing the shaft adapter in the respective position. |
| Temperature monitoring unit | The temperature monitoring unit is to be fitted to the duct wall or the damper housing using 2 self-tapping screws of 3.5 mm diameter. The enclosed drilling template facilitates mounting. When mounting, it must be ensured that the thermal fuse is fully exposed to the airflow. |

Commissioning notes

| | |
|--------------------------|--|
| References | All information required for commissioning is contained in the following pieces of documentation: <ul style="list-style-type: none"> • The present Data Sheet A6V10888424 • Mounting Instructions A6V10890425 • Plant diagram |
| Environmental conditions | <ul style="list-style-type: none"> • Check to ensure that all permissible values as specified in "Technical data" are observed |
| Mechanical check | <ul style="list-style-type: none"> • Check for proper mounting to ensure that all mechanical settings are in accordance with plant-specific requirements. In addition, ensure that the air dampers are shut tight when in the fully closed position • Fasten the actuator securely to avoid side load • Check the direction of rotation by turning the gearing with a hex wrench in accordance with the Mounting Instructions |
| Electrical check | <ul style="list-style-type: none"> • Check to ensure that the cables are connected in accordance with the plant wiring diagram • Operating voltage AC 24 V / DC 24...48 V (SELV / PELV) or AC 230 V must be within the tolerance • Auxiliary switches "A" and "B" change over when the actuator reaches the respective positions |

Temperature monitoring unit

Functional check on site:
Press the button to simulate overtemperature. This simulates the response of the fuse, enabling you to check the proper functioning of the actuator.
In plant equipped with a fire alarm device BAM, fire alarm will be triggered. Appropriate measures must be taken before the functional check is made.




Disposal



The device is considered an electronics device for disposal in terms of European Directive 2012/19/EU and may not be disposed of as domestic garbage.

- Dispose of the device through channels provided for this purpose.
- Comply with all local and currently applicable laws and regulations.

Technical data

| | | |
|--|--|--|
|  Power supply AC 24 V DC 24...48 V (SELV/PELV) | Operating voltage AC / frequency | AC 24 V $\pm 20\%$ / 50/60 Hz |
| | Operating voltage (DC) | DC 24...48 V $\pm 20\%$ |
| | Power consumption GRA126.1: when running when holding | AC: 5 VA / 3.5 W / DC: 3.5 W AC/DC: 2 W |
| | Safety class | III to EN 60 730 |
|  Power supply AC 230 V | Operating voltage / frequency | AC 230 V $\pm 15\%$ 50/60 Hz |
| | Power consumption GRA326.1: when running when holding | 7 VA / 4.5 W 3.5 W |
| | Safety class | II to EN 60 730 |
| | Mechanical data | Nominal torque |
| | Nominal angle of rotation / maximum angle of rotation | 90° / 95° $\pm 2^\circ$ |
| | Running time for nominal angle of rotation 90° (motor operation) | 90 s |
| | Closing with spring return (on power failure) | 15 s |
|  Auxiliary switches | AC power supply | |
| | Switching voltage | AC 24...230 V |
| | Nominal current res./ind. | 6 A / 2 A |
| | Life: 6 A res., 2 A ind. without load | 10 ⁴ cycles 10 ⁶ cycles |
| | DC power supply | |
| | Switching voltage | DC 12..30 V |
| | Nominal current | DC 2 A |
| | Electric strength auxiliary switch against housing | AC 4 kV |
| | Switching hysteresis | 2° |
| | Factory switch setting | |
| Switch A | 5° | |
| Switch B | 80° | |
| Connecting cables (halogen free) | Power supply line AC 24 V (wires 1-2) | 2 x 0.75 mm ² |
| | AC 230 V (wires 3-4) | 2 x 0.75 mm ² |
| | Auxiliary switch cable (wires S1...S6) | 6 x 0.75 mm ² |
| | Standard length | 0.9 m |
| Degree of protection | Housing (actuator only) | IP54 to EN 60 529 |
| Environmental conditions | Operation / transport | IEC 721-3-3 / IEC 721-3-2 |
| | Temperature | - 32...+50 °C / - 32...+50 °C |
| | Humidity (non-condensing) | < 95 % r.h. / < 95 % r.h. |
| Standards and directives | Product safety: | |
| | automatic electrical controls for household and similar use | EN 60 730-2-14 (mode of action type 1) |
| | Electromagnetic compatibility (Application) | For residential, commercial and industrial environments |
| | EU Conformity (CE) | A5W00008649 ¹⁾ |
| | RCM Conformity | A5W00008650 ¹⁾ |
| | EAC Conformity | Eurasia Conformity for all GRA.. |
| Environmental compatibility | The environmental declaration contains data on environmental compatible product design and assessment (RoHS compliance, compositions, packaging, environmental benefits and disposal). | |
| Dimensions | Actuator W x H x D (see "Dimensions") | 81 x 178 x 63 mm |
| | Damper shaft: square | 10x10, 12x12 mm |
| | min. shaft length | 20 mm |
| Weight | Without packaging: | |
| | GRA126.1E/T.. | 1.3 kg |
| | GRA326.1E/T.. | 1.4 kg |
| | GRA126.1E/... | 1.2 kg |
| | GRA326.1E/... | 1.3 kg |

¹⁾ The documents can be downloaded from <http://siemens.com/bt/download>

Temperature monitoring unit
(ready connected to actuator
GRA...26.1E/T..)

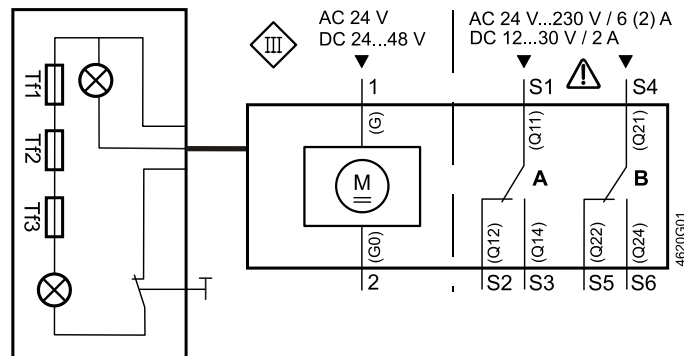
Connecting cable (halogen free)
Switching temperature for sizing

Temperatur tolerance Tf1, Tf2, Tf3
Safety class
Degree of protection
Ambient temperature / storage temperature
Ambient humidity
Maintenance
Weight

0.9 m long (2 x 0.5 mm²)
Tf1: outside the duct 72 °C
Tf2: inside the duct 72 °C
Tf3: inside the duct 72 °C
72 °C +0 °C/-2 °C
III (safety extra-low voltage)
IP54
-20...+50 °C/-20...+50 °C
KL D to DIN 40040
maintenance-free
0.1 kg

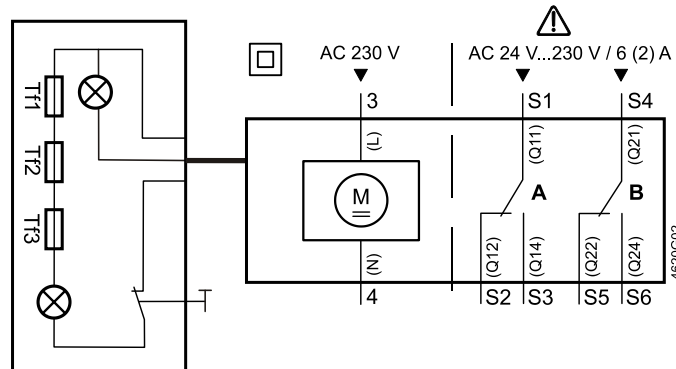
Diagrams

Internal diagram GRA126.1E/..



AC 24 V
DC 24...48 V
(SELV/PELV)

GRA326.1E/..



AC 230 V

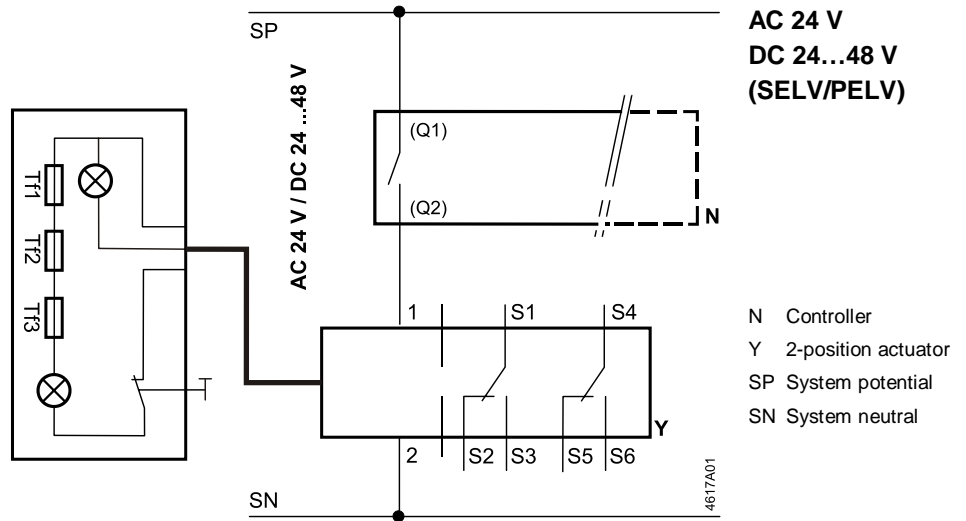
All wires are color-coded and labeled

Wire designations

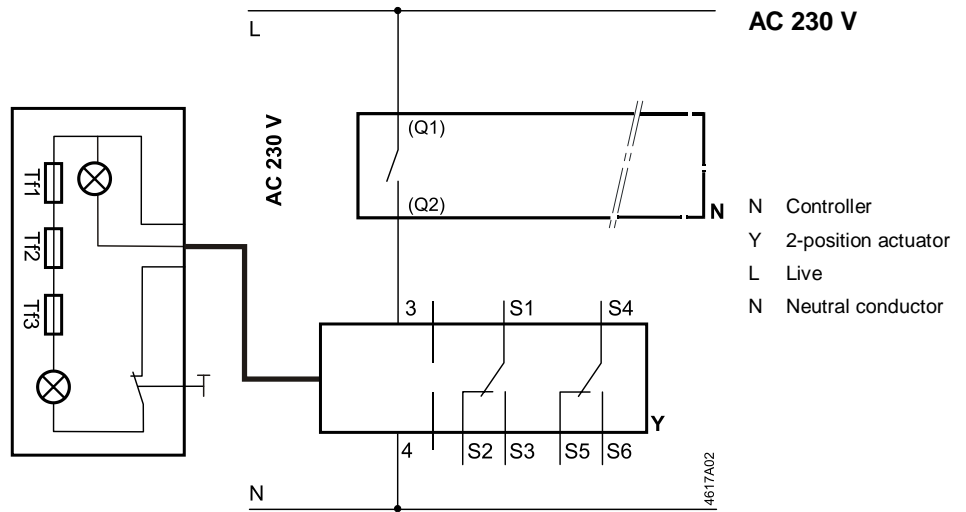
| Connection | Cable | | | | Meaning |
|--------------------------------------|-------|-----|------------|--------------|---|
| | Code | No. | Color | Abbreviation | |
| Actuators AC 24 V DC 24...48 V | G | 1 | red | RD | System potential AC 24 V / DC 24...48 V |
| | G0 | 2 | black | BK | System neutral |
| Actuators AC 230 V | L | 3 | brown | BN | Line AC 230 V |
| | N | 4 | blue | BU | Neutral |
| Auxiliary switch | Q11 | S1 | grey/red | GYRD | Switch A input |
| | Q12 | S2 | grey/blue | GYBU | Switch A normally-closed contact |
| | Q14 | S3 | grey/pink | GYPK | Switch A normally-open contact |
| | Q21 | S4 | black/red | BKRD | Switch B input |
| | Q22 | S5 | black/blue | BKBU | Switch B normally-closed contact |
| | Q24 | S6 | black/pink | BKPK | Switch B normally-open contact |

Connection diagram

GRA126.1E/..

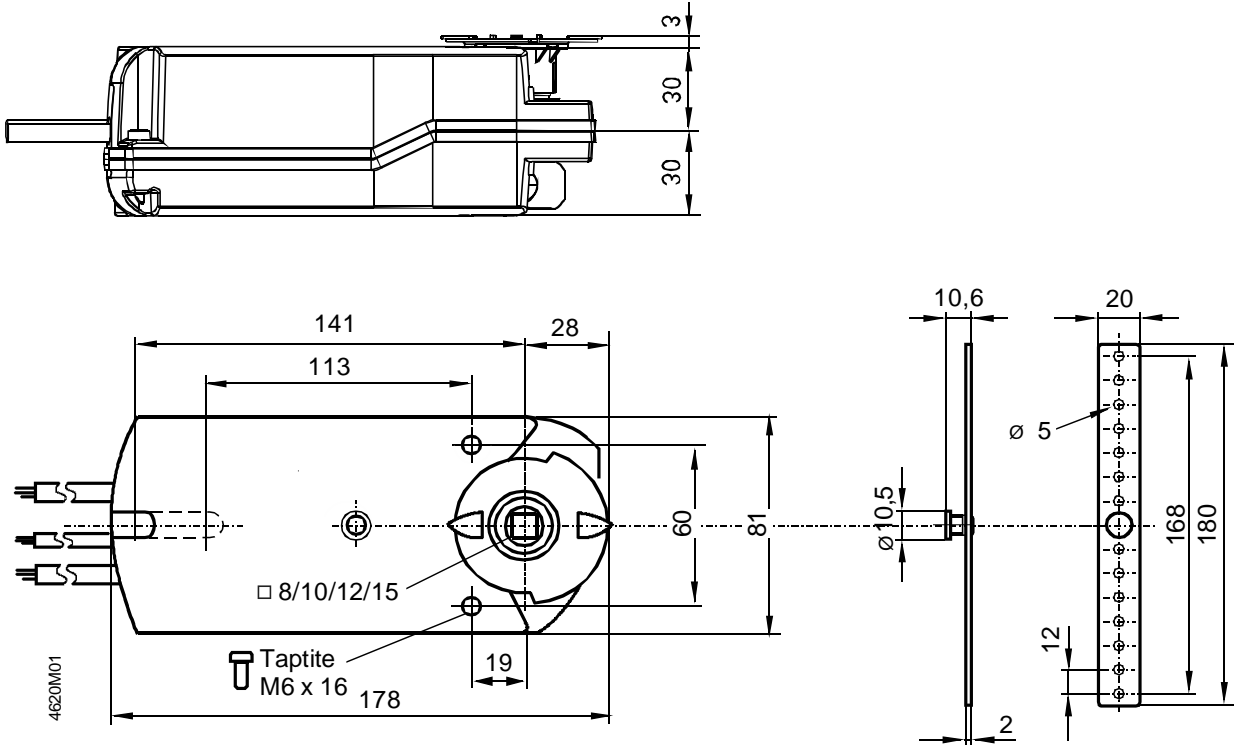


GRA326.1E/..

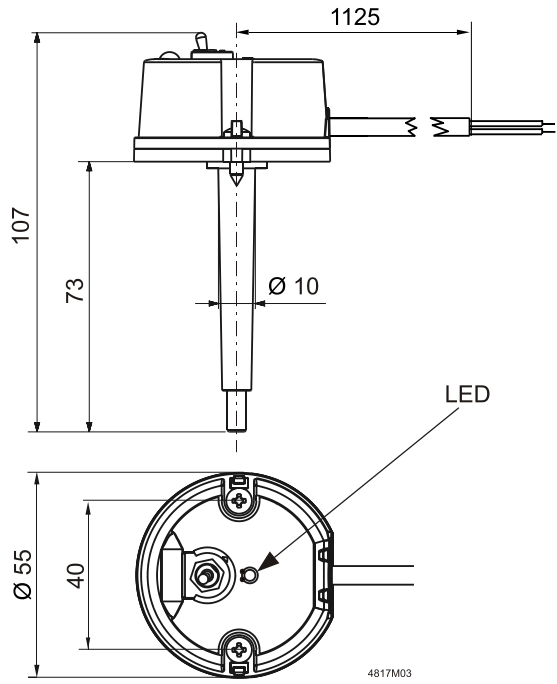


Dimensions

Actuator



Temperature monitoring unit



- LED function**
- ⊗ Red = Operating voltage OK
Thermo sensor defect
 - ⊗ Green = Operating voltage OK
Thermo sensor OK
 - ˘ Dark = No operating voltage

Dimensions in mm

Issued by
Siemens Switzerland Ltd
Building Technologies Division
International Headquarters
Gubelstrasse 22
6301 Zug
Switzerland
Tel. +41 41-724 24 24
www.siemens.com/buildingtechnologies

© Siemens Switzerland Ltd, 2016

Technical specifications and availability subject to change without notice.

12/12